

A1 VOLTAGE

PIN#	NO LOAD	FULL LOAD
2	13.1V	14.0V
3	13.8V	13.7V
4	7.2V	7.2V
5	7.2V	7.2V
8	7.2V	7.2V
7	0.0V	0.0V
10	14.8V	16.5V
11	29.0V	25.0V
12	29.0V	25.0V
13	16.1V	17.8V

UNLESS OTHERWISE NOTED

1. ALL RESISTORS 5%, 0.5W, C.F, IN OHM.
2. ALL CAPACITORS IN MICROFARADS.
3. ○ PRINTED CIRCUIT BOARD.
- △ TO BE SELECTED IN TEST.

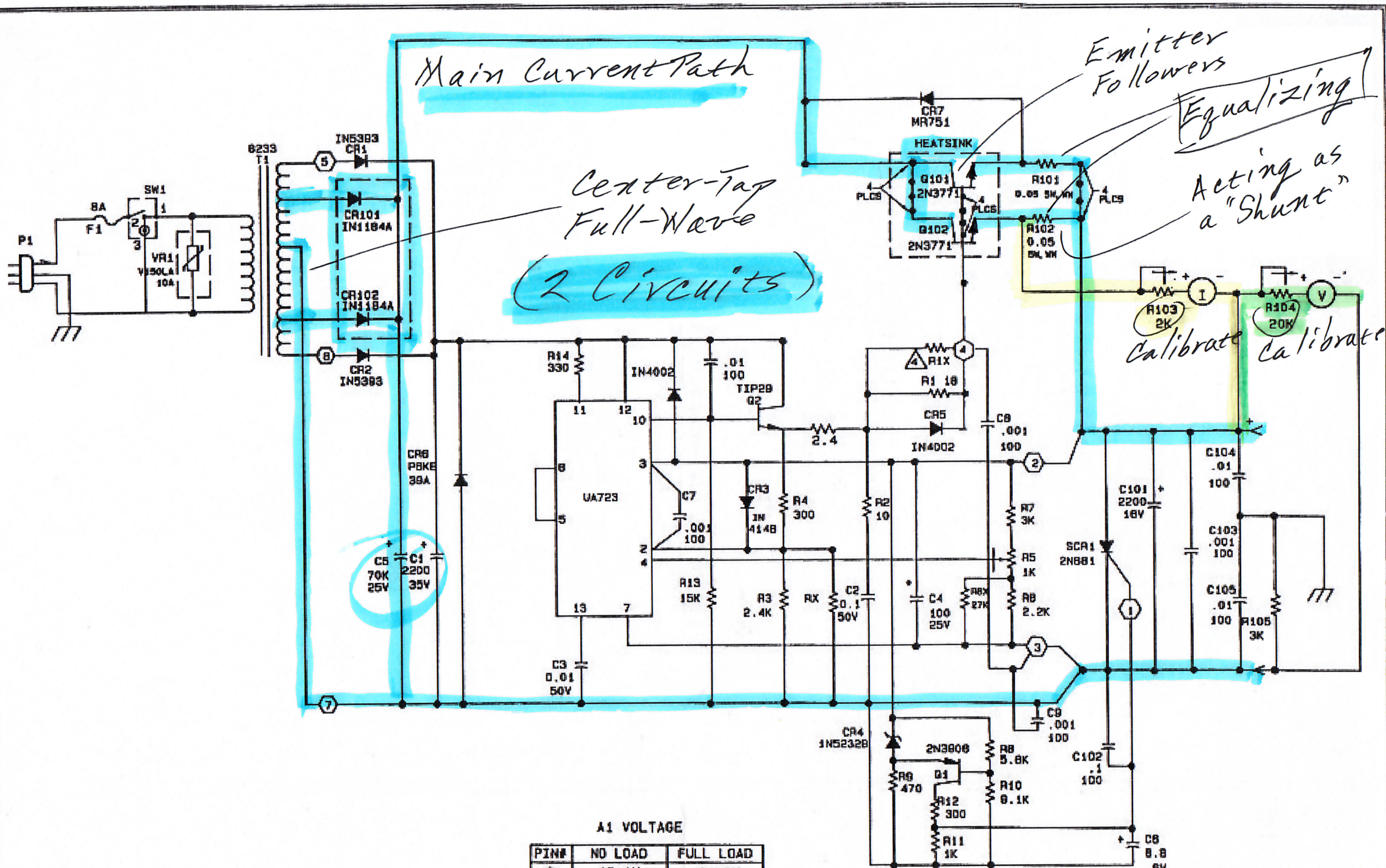
**ASTRON CORPORATION**

IRVINE, CALIFORNIA

DATE: 4/16/1987

APPROVED: *[Signature]*

**RS-35M/RS-35A**



Main Current Path

Center-Tap Full-Wave  
(2 Circuits)

Emitter Followers  
Equalizing

Acting as a "Shunt"

Calibrate Calibrate

A1 VOLTAGE

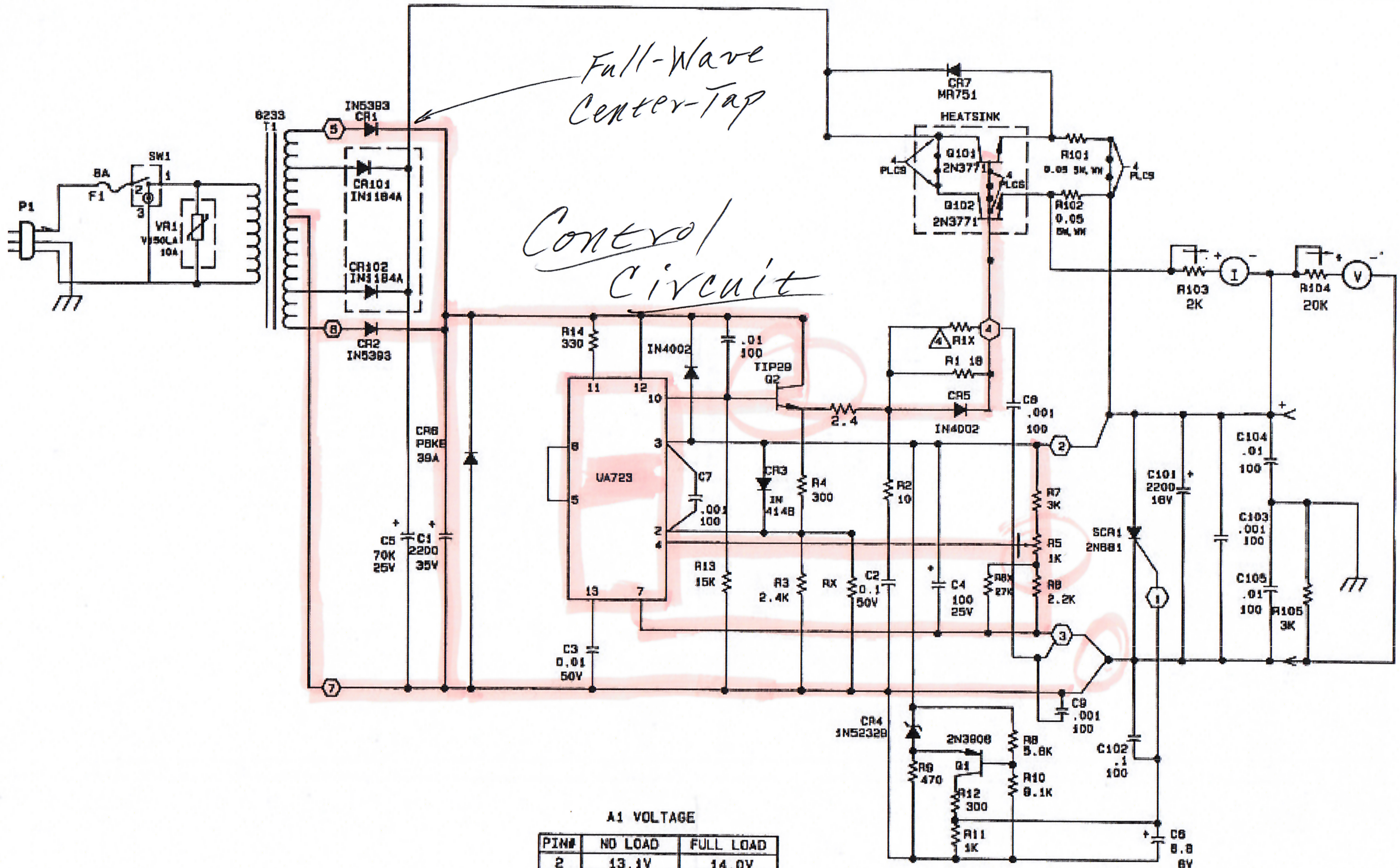
PIN#	NO LOAD	FULL LOAD
2	13.1V	14.0V
3	13.8V	13.7V
4	7.2V	7.2V
5	7.2V	7.2V
6	7.2V	7.2V
7	0.0V	0.0V
10	14.8V	16.5V
11	29.0V	25.0V
12	29.0V	25.0V
13	16.1V	17.8V

- UNLESS OTHERWISE NOTED
1. ALL RESISTORS 5%, 0.5W, C.F. IN OHM.
  2. ALL CAPACITORS IN MICROFARADS.
  3. ○ PRINTED CIRCUIT BOARD.
- ▲ TO BE SELECTED IN TEST.

**ASTRON CORPORATION**  
 IRVINE, CALIFORNIA

DATE: 4/16/1987      APPROVED: *[Signature]*

**RS-35M/RS-35A**



A1 VOLTAGE

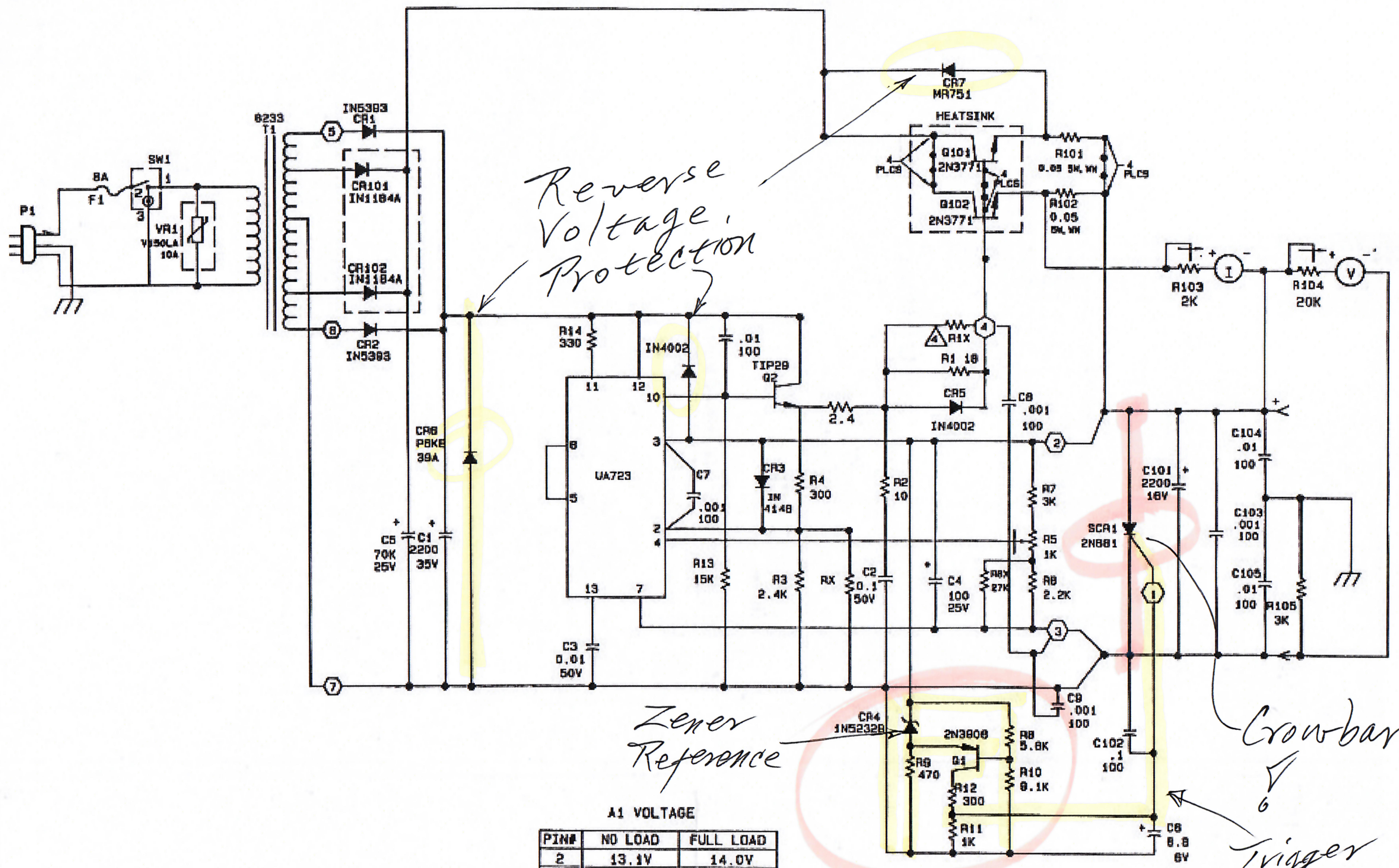
PIN#	NO LOAD	FULL LOAD
2	13.1V	14.0V
3	13.8V	13.7V
4	7.2V	7.2V
5	7.2V	7.2V
6	7.2V	7.2V
7	0.0V	0.0V
10	14.8V	16.5V
11	29.0V	25.0V
12	29.0V	25.0V
13	16.1V	17.8V

UNLESS OTHERWISE NOTED  
 1. ALL RESISTORS 5%, 0.5W, C.F. IN OHM.  
 2. ALL CAPACITORS IN MICROFARADS.  
 3. ○ PRINTED CIRCUIT BOARD.  
 ▲ TO BE SELECTED IN TEST.

**ASTRON CORPORATION**  
 IRVINE, CALIFORNIA

DATE: 4/16/1987      APPROVED: *[Signature]*

**RS-35M/RS-35A**



*Reverse Voltage Protection*

*Zener Reference*

*Crowbar Trigger Control*

A1 VOLTAGE

PIN#	NO LOAD	FULL LOAD
2	13.1V	14.0V
3	13.8V	13.7V
4	7.2V	7.2V
5	7.2V	7.2V
8	7.2V	7.2V
7	0.0V	0.0V
10	14.8V	16.5V
11	29.0V	25.0V
12	29.0V	25.0V
13	16.1V	17.8V

- UNLESS OTHERWISE NOTED
1. ALL RESISTORS 5%, 0.5W, C.F. IN OHM.
  2. ALL CAPACITORS IN MICROFARADS.
  3. ○ PRINTED CIRCUIT BOARD.
- ▲ TO BE SELECTED IN TEST.

**ASTRON CORPORATION**  
 IRVINE, CALIFORNIA

DATE: 4/16/1987      APPROVED: *[Signature]*

**RS-35M/RS-35A**